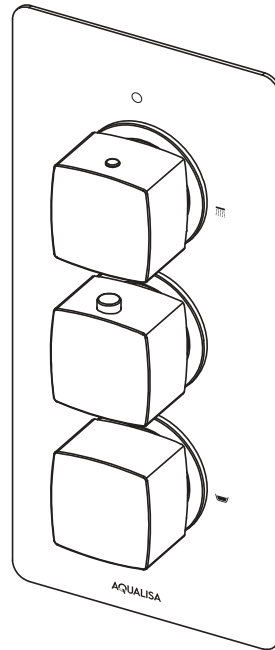
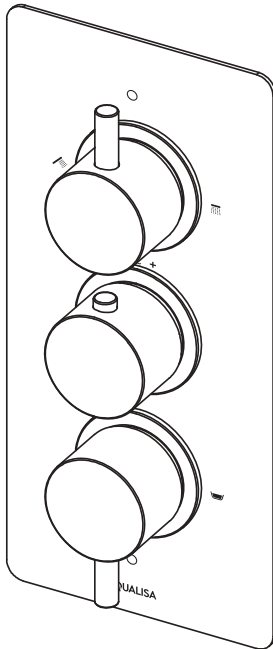


AQUALISA

DREAM™ CONCEALED THERMOSTATIC MIXER

INSTALLATION AND USER GUIDE



CONTENTS

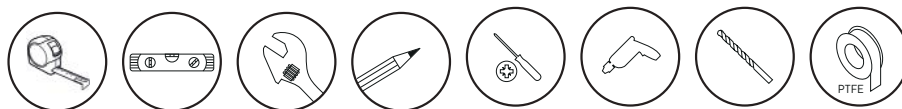
Warranty	3
Before You Start	4
Water Supply Requirements	4
Product and Component Matrix	5
Components - Valves	6
Components - Single and Dual Trim Packs	7
Components - Triple Trim Packs	8
Components - Wall Fixed Heads	9
Components - Adjustable Rail Kits	10
Components - Bath Fill	12
Components - Hand Shower Kits	12
Installation - Valve	13
Installation - Trim Pack	19
Installation - Wall Outlets	21
Installation - Wall Fixed Arms	23
Installation - Fixed Heads	25
Installation - Adjustable Rail Kits - Round	25
Installation - Adjustable Rail Kits - Square	27
Installation - Bath Fill	29
Installation - Waste Pipe Extension (where required)	31
Cartridge Temperature Adjustment	32
General Maintenance	33
User Guide	35
Trouble Shooting	38

GENERAL CLEANING

Whilst modern plating techniques are used in the manufacture of these fittings, the plating will wear if not cleaned properly. The safest way to clean your product is to wipe with a soft damp cloth. Stains can be removed using washing up liquid.

DO NOT USE ABRASIVE CLEANERS.

TOOLS REQUIRED (Tools not supplied)



We have taken great care to ensure that this product reaches you in perfect condition. However should any parts be damaged or missing please contact your point of purchase. This does not affect your statutory rights. In addition if you require replacement parts please contact the Aqualisa customer helpline on 01959 560010 for assistance.

WARRANTY

Aqualisa products are supplied complete with a 1 year guarantee that can be upgraded by registering this product with Aqualisa.

See www.aqualisa.co.uk/warranty for details.

BEFORE YOU START

This shower should be installed by a competent person in compliance with current Water Supply Regulations. For further details contact your Local Water Authority.

- a. Identify all components and check pack contents.
- b. Turn off the water supplies.



Before making any pipe connections all supplies **MUST** be thoroughly flushed to remove any debris.

WATER SUPPLY REQUIREMENTS

Hot Water Maximum: 65°C

Cold Water Minimum: 5°C

Recommended 60-65°C

Recommended 10-15°C

Operating Pressure Range: Min. 0.2 bar, Max. 5.0 bar

Dream™ valves are suitable for gravity stored, gravity boosted, balanced high pressure and combination boiler systems.

N.B. The combination boiler **MUST** have a minimum rating of 24kW (80,000 Btu) and be of the type fitted with a fully modulating gas valve.

Boiler performance may affect outlet temperature.

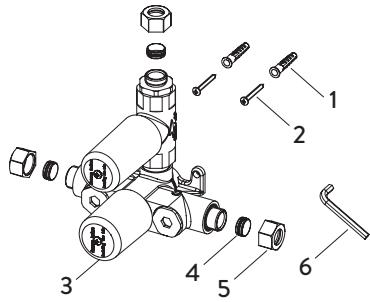
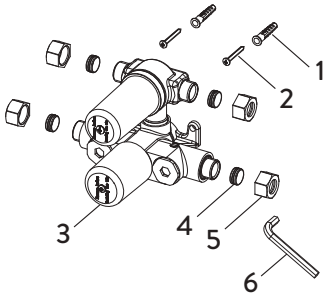
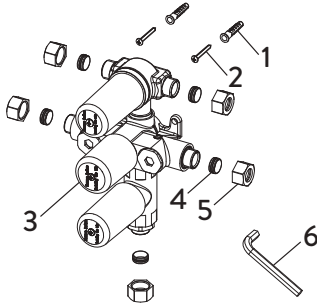
Operating pressures on hot and cold supplies should be kept as even as possible in order to ensure the maximum efficiency of the mixer.

When water pressure is higher than 5 bar, a pressure reducing valve (not supplied) must be fitted before the mixer. A setting of 3 bar is recommended.

PRODUCT MATRIX

PRODUCT	COMPONENT LISTS				
	VALVE OUTLETS Page 6	WALL FIXED HEAD Page 9	ADJUSTABLE RAIL KIT Page 10	BATH FILL Page 12	HAND SHOWER KIT Page 12
DRMDCV1.AD.RND	Single		•		
DRMDCV1.AD.SQR	Single		•		
DRMDCV1.FW.RND	Single	•			
DRMDCV1.FW.SQR	Single	•			
DRMDCV2.ADFW.RND	Dual	•	•		
DRMDCV2.ADFW.SQR	Dual	•	•		
DRMDCV2.ADBTX.RND	Dual		•	•	
DRMDCV2.ADBTX.SQR	Dual		•	•	
DRMDCV3.ADFWBTX.RND	Triple	•	•	•	
DRMDCV3.ADFWBTX.SQR	Triple	•	•	•	
DRMDCV2.HSFW.RND	Dual	•			•
DRMDCV2.HSFW.SQR	Dual	•			•

COMPONENTS - OUTLET VALVES

VALVE BODY - SINGLE OUTLET	NO.	DESCRIPTION	QTY
	1	Wall Plugs	2
	2	Wall Screws	2
	3	Valve Body	1
	4	Copper Olives	3
	5	Compression Nuts	3
	6	10mm Filter Allen Key	1
VALVE BODY - DUAL OUTLET	NO.	DESCRIPTION	QTY
	1	Wall Plugs	2
	2	Wall Screws	2
	3	Valve Body	1
	4	Copper Olives	4
	5	Compression Nuts	4
	6	10mm Filter Allen Key	1
VALVE BODY - TRIPLE OUTLET	NO.	DESCRIPTION	QTY
	1	Wall Plugs	2
	2	Wall Screws	2
	3	Valve Body	1
	4	Copper Olives	5
	5	Compression Nuts	5
	6	10mm Filter Allen Key	1

COMPONENTS - SINGLE AND DUAL TRIM PACKS

TRIM PACK - ROUND	NO.	DESCRIPTION	QTY
	1	Lever	1
	2	Grub Screw	2
	3	2.5mm Allen Key	1
	4	Control Knob	1
	5	Cap	1
	6	Temperature Knob	1
	7a	Single - Control Shroud Ring	1
	7b	Dual - Control Shroud Ring	1
	8	Temperature Shroud Ring	1
9	Wall Plate	1	

N.B. Pack will contain either 7a or 7b

TRIM PACK - SQUARE	NO.	DESCRIPTION	QTY
	1	2.5mm Allen Key	1
	2	Cap	2
	3	Grub Screw	2
	4	Control Knob	1
	5	Temperature Knob	1
	6a	Single - Control Shroud Ring	1
	6b	Dual - Control Shroud Ring	1
	7	Temperature Shroud Ring	1
8	Wall Plate	1	

N.B. Pack will contain either 6a or 6b

COMPONENTS - TRIPLE TRIM PACKS

TRIM PACK - ROUND	NO.	DESCRIPTION	QTY
	1	Lever	2
	2	2.5mm Allen Key	1
	3	Grub Screw	3
	4	Control Knob	2
	5	Temperature Knob	1
	6	Cap	1
	7	Wall Plate	1
	8	Bottom Shroud Ring	1
	9	Temperature Shroud Ring	1
	10	Top Shroud Ring	1

TRIM PACK - SQUARE	NO.	DESCRIPTION	QTY
	1	2.5mm Allen Key	1
	2	Grub Screw	3
	3	Cap	3
	4	Control Knob	2
	5	Temperature Knob	1
	6	Wall Plate	3
	7	Bottom Shroud Ring	1
	8	Temperature Shroud Ring	1
	9	Top Shroud Ring	1

COMPONENTS - WALL FIXED HEADS

FIXED HEAD AND ARM - ROUND	NO.	DESCRIPTION	QTY
	1	Backnut	1
	2	Backnut Washer	1
	3	Fixing Nut	1
	4	Cover Plate	1
	5	Shower Arm	1
	6	Filter Washer	1
	7	Ball Joint	1
	8	Shower Head	1

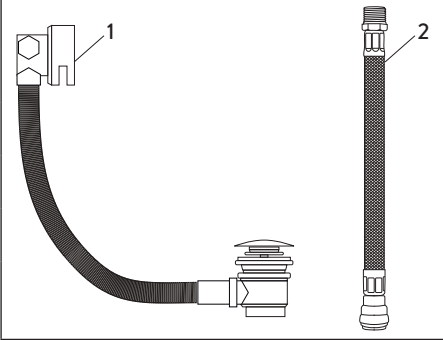
FIXED HEAD AND ARM - SQUARE	NO.	DESCRIPTION	QTY
	1	Backnut	1
	2	Backnut Washer	1
	3	Cover Plate	1
	4	Shower Arm	1
	5	Filter Washer	1
	6	Ball Joint	1
	7	Shower Head	1

COMPONENTS - ADJUSTABLE RAIL KITS

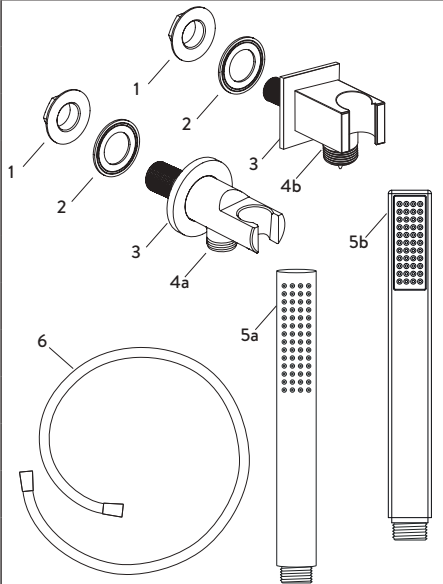
ADJUSTABLE RAIL KIT - ROUND	NO.	DESCRIPTION	QTY
	1	Wall Plug	2
	2	Upper Rail Bracket	1
	3	Wall Screw - Short	1
	4	Rail End Cap	2
	5	Pinch grip Holder	1
	6	Gel Hook	1
	7	Harmony Handset	1
	8	Riser Rail	1
	9	Shower Hose - 1.5m	1
	10	Lower Rail Bracket	1
	11	Wall Screw - Long	1
	12	Backnut	1
	13	Backnut Washer	1
	14	Wall Cover Plate	1
	15	Wall Outlet	1

ADJUSTABLE RAIL KIT - SQUARE	NO.	DESCRIPTION	QTY
	1	Rail End Cover	2
	2	Rail Bracket	2
	3	Wall Plug	2
	4	Wall Screw	2
	5	Cover Plate	2
	6	Handset Holder	1
	7	Riser Rail	1
	8	Handset	1
	9	Shower Hose - 1.5m	1
	10	Wall Outlet	1
	11	Wall Cover Plate	1
	12	Backnut Washer	1
	13	Backnut	1

COMPONENTS - BATH FILL

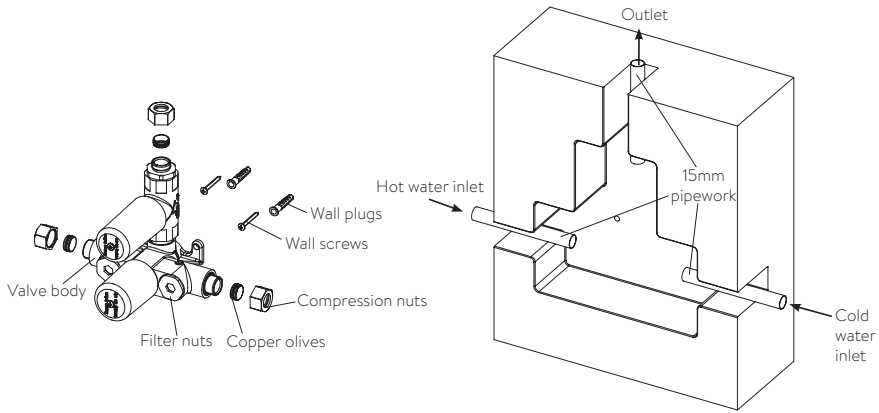
BATH FILL	NO.	DESCRIPTION	QTY
	1	Bath Overflow and Filler	1
	2	Flexible Hose 300mm	1

COMPONENTS - HAND SHOWER KITS

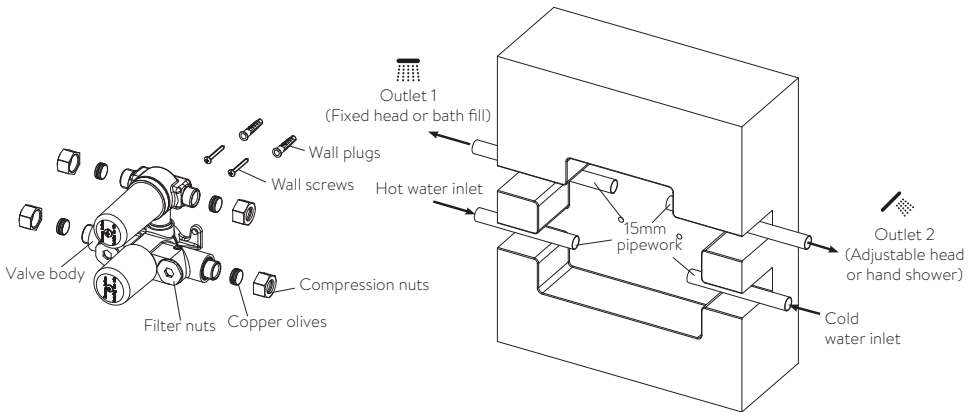
HAND SHOWER KITS	NO.	DESCRIPTION	QTY
	1	Backnut	1
	2	Backnut Washer	1
	3	Wall Cover Plate	1
	4a	Wall Outlet - Round	1
	4b	Wall Outlet - Square	1
	5a	Hand Shower - Round	1
5b	Hand Shower - Square	1	
6	1.5m Smooth Hose	1	

N.B. Pack will contain either 4a and 5a or 4b and 5b.

INSTALLATION VALVE - SINGLE OUTLET



INSTALLATION VALVE - DUAL OUTLET



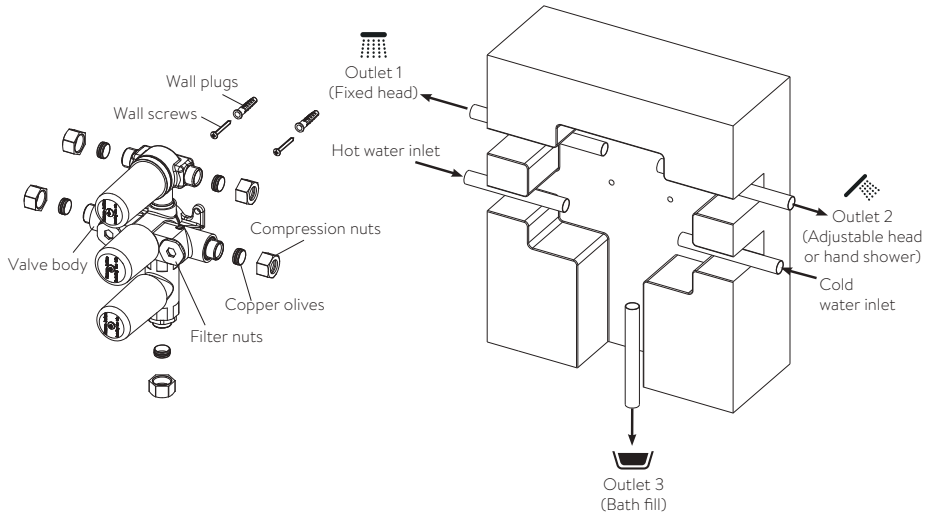
IMPORTANT:

Ensure outlet feeds are configured as per the diagram shown.

Fixed head or bath fill - Left outlet

Adjustable head or hand shower - Right outlet

INSTALLATION VALVE - TRIPLE OUTLET



IMPORTANT:

Ensure outlet feeds are configured as per the diagram shown.

Fixed head - Left outlet

Adjustable head or hand shower - Right outlet

Bath fill - Bottom outlet

1

Turn off the water supply prior to installation. Prepare the recess in the wall for the valve body and pipework.

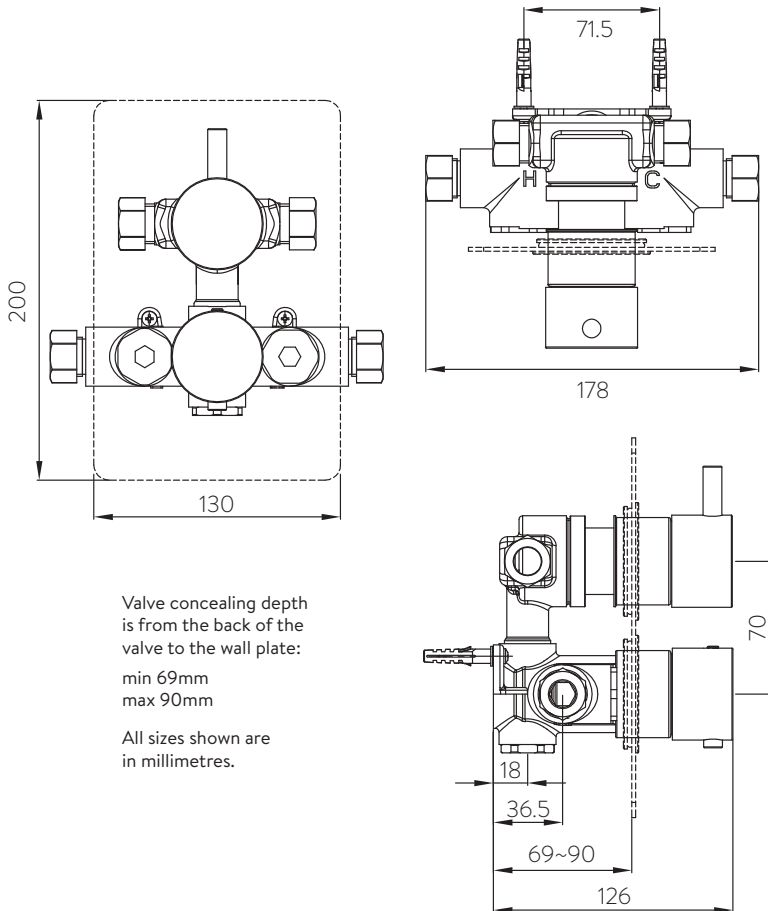


IMPORTANT:

Minimum wall cavity depth: 69mm

Min-Max Concealing Plate adjustment: 69-90mm

See below dimension drawing.



Valve concealing depth is from the back of the valve to the wall plate:

min 69mm
max 90mm

All sizes shown are in millimetres.

N.B. Dual outlet valve shown for illustrative purposes. Refer to page 16 for triple outlet valve.



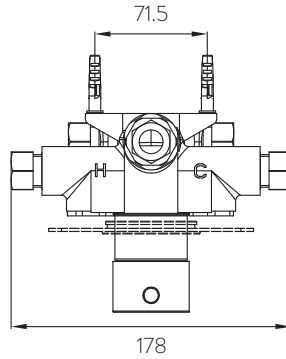
IMPORTANT:

Minimum wall cavity depth: 69mm

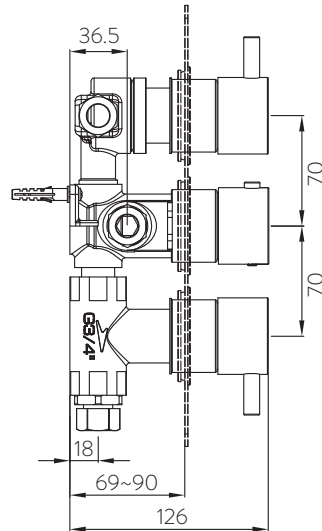
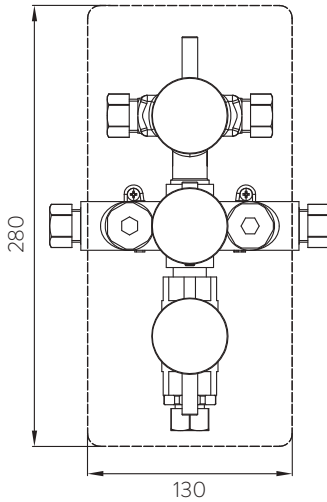
Min-Max Concealing Plate adjustment: 69-90mm

See below dimension drawing.

Valve concealing depth
is from the back of the
valve to the wall plate:
min 69mm
max 90mm



All sizes shown
are in millimetres.



2

Arrange the pipework so that the hot water is connected from the left to the inlet marked 'H' and the cold from the right to the inlet marked 'C', on the valve body.

For single outlet: The outlet pipe connects to the top of the valve body.

For dual outlet: The fixed head or bath fill outlet pipe connects to the left outlet (Outlet 1) on the valve body.

The adjustable head or hand shower outlet pipe connects to the right outlet (Outlet 2) on the valve body.

For triple outlet: The fixed head outlet pipe connects to the left outlet (Outlet 1) on the valve body. The adjustable head outlet pipe connects to the right outlet (Outlet 2) on the valve body. The bath fill outlet pipe connects to the bottom outlet (Outlet 3) on the valve body.

For all models: Ensure sufficient pipe length; the pipe ends insert into the valve inlets and outlet(s) a minimum of 10mm.

3

Connect the valve loosely to the pipework, do not tighten.

4

Hold the valve in position inside the cavity and mark the screw holes. If required, disconnect the valve, drill the holes and insert the wall plugs.

5

Connect the valve body to the pipework using the copper olives and compression nuts provided, but do not tighten.

6

Secure the valve body with the wall screws.

7

Tighten the compression nuts to create a watertight seal.

8

Reinstate the water supply and check for leaks.

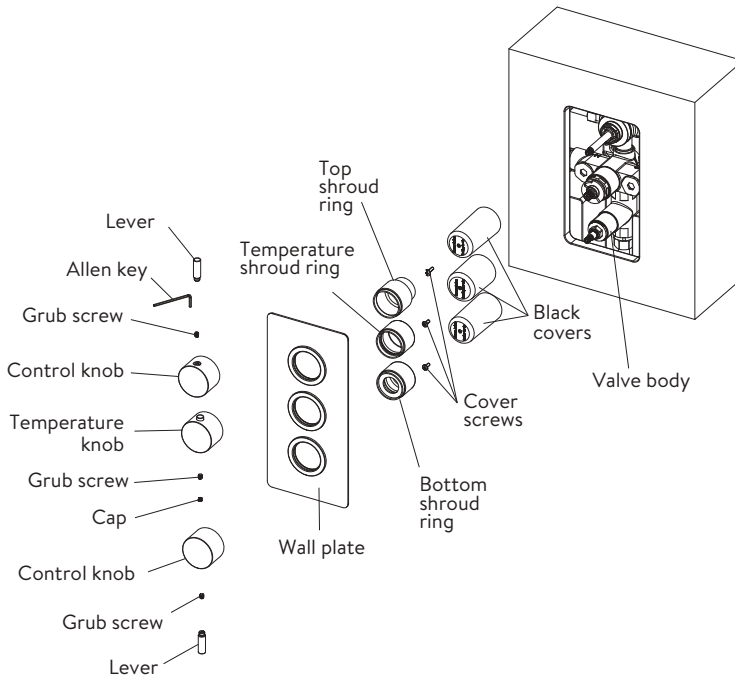
9

Ensuring the filter nuts are left accessible, plasterboard and tile the cavity wall ensuring there is an adequate gap between the tiles and the valve body. **To allow for any future maintenance an access hole is required.**

Single and Dual models -120mm high x 110mm wide.

Triple outlet models - 190mm high x 110mm wide.

INSTALLATION - TRIM PACK



N.B. Round triple outlet valve shown for illustrative purposes. Refer to page 7 for single and dual model trim packs.

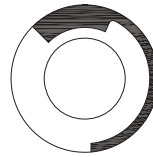
- 1 Isolate the water supplies to the shower. Remove the cover screws and black covers from the valve.
- 2 Screw the shroud rings into place (do not overtighten).
- 3 Apply a bead of silicone sealant to the rear of the wall plate and carefully push the wall plate into position flush with the finished wall surface.

4

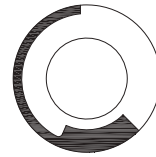
Prior to fitting the temperature knob, remove the black temperature stop and ensure the black marked line on the brass spindle aligns with the black mark behind the spindle.

5

To enable the temperature override safety button to engage at 38°C, refit the black temperature override stop in the correct orientation, as shown.



Single and Dual



Triple

6

Prior to fitting the temperature knob, loosen the grub screw located in the temperature knob, then depress the temperature override safety button and fit the knob into place with

Single and dual outlet: Button at the 6 o'clock position.

Triple outlet: Button at the 12 o'clock position.

Tighten the grub screw and fit the cap.

7

For single outlet: To fit the top control knob, ensure the brass on/off spindle is in the off position (turned fully clockwise). Unscrew and remove the lever or cover cap from the control knob and loosen the grub screw located in the control knob. Fit the control knob to the on/off spindle with the grub screw and lever hole positioned to 'OFF' (12 o'clock). Tighten the grub screw and refit the lever or cover cap.

For dual and triple outlets: To fit the top control knob, unscrew and remove the lever or cover cap from the control knob and loosen the grub screw located in the control knob. Loosely fit the control knob onto the spindle and turn fully clockwise until a stop is reached, there will be an audible 'click'. Remove the knob, and refit ensuring the grub screw and lever hole is positioned at 3 o'clock. Tighten the grub

screw and refit the lever or cover cap. Turn the control knob to the 'OFF' position (12 o'clock).

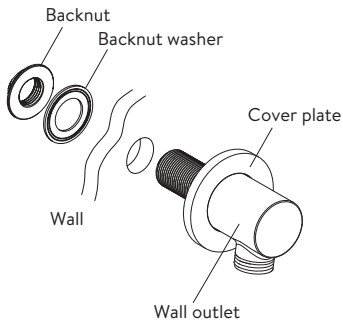
To fit the bottom (bath fill) control knob, ensure the brass on/off spindle is in the off position (turned fully clockwise). Unscrew and remove the lever or cover cap from the control knob and loosen the grub screw located in the control knob. Fit the control knob to the on/off spindle with the grub screw and lever hole positioned to 'OFF' (6 o'clock). Tighten the grub screw and refit the lever or cover cap.

8

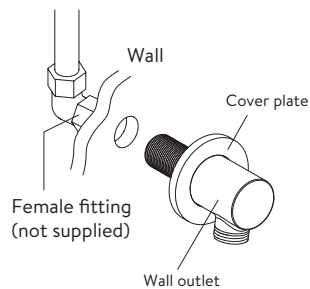
Reinstate water supplies and test.

INSTALLATION - WALL OUTLETS

With rear access



Without rear access - see page 22



N.B. Round wall outlet shown for illustrative purposes.

With rear access:

1

Run pipework from the shower valve to the desired location for the wall outlet ensuring it terminates in a suitable ½" female connector (not supplied). All pipework and connectors must be secured using suitable fixings.

2

Feed the wall outlet thread through a 22-28mm hole in the wall and secure with the backnut ensuring the backnut washer is fitted between the backnut and the wall, if accessible.

3

Connect the wall outlet to a suitable ½” female connector using PTFE tape or similar, to achieve a watertight seal.

4

Temporarily cap off the wall outlet, open the shower valve and check for leaks.

Without rear access:

1

Run pipework from the shower valve to the desired location for the wall outlet ensuring it terminates in a suitable ½” female connector (not supplied). All pipework and connectors must be secured using suitable fixings.

2

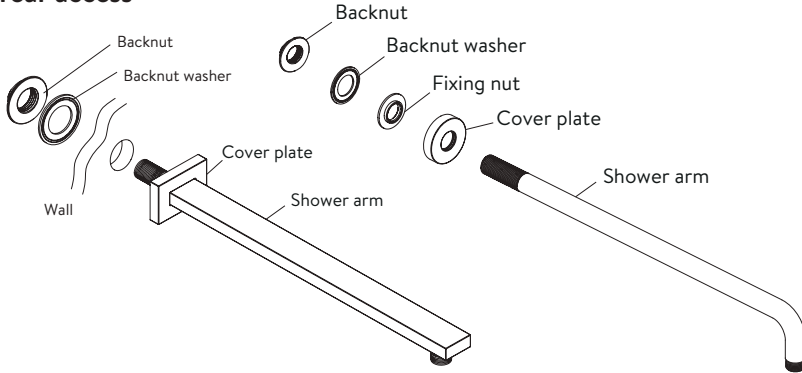
The backnut and backnut washer are not required. Wind the wall outlet thread directly into the ½” female connector (not supplied) using PTFE tape or similar, to achieve a watertight seal.

3

Temporarily cap off the wall outlet, open the shower valve and check for leaks.

INSTALLATION - WALL FIXED ARMS

With rear access



N.B. For round fixed wall arms only, fit the cover plate and fixing nut (flat side of fixing nut facing the wall) to the shower arm.

With rear access:

1

Run pipework from the shower valve to the desired location for the fixed arm ensuring it terminates in a suitable $\frac{1}{2}$ " female connector (not supplied). All pipework and connectors must be secured using suitable fixings. **N.B.** For round fixed wall arms only, fit the cover plate and fixing nut (flat side of fixing nut facing the wall) to the shower arm.

2

Feed the fixed arm thread through a 22-28mm hole in the wall and secure with the backnut ensuring the backnut washer is fitted between the backnut and the wall, if accessible.

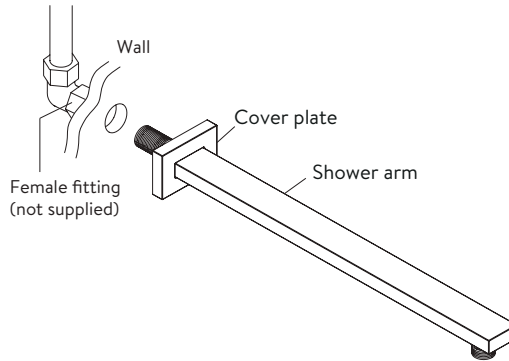
3

Connect the fixed arm to a suitable $\frac{1}{2}$ " female connector using PTFE tape or similar, to achieve a watertight seal.

4

Temporarily cap off the fixed arm, open the shower valve and check for leaks.

Without rear access



N.B. Square shower arm shown for illustrative purposes.

Without rear access

1

Run pipework from the shower valve to the desired location for the fixed arm ensuring it terminates in a suitable $\frac{1}{2}$ " female connector (not supplied). All pipework and connectors must be secured using suitable fixings. **N.B.** For round fixed wall arms only, fit the cover plate and fixing nut (flat side of fixing nut facing the wall) to the shower arm.

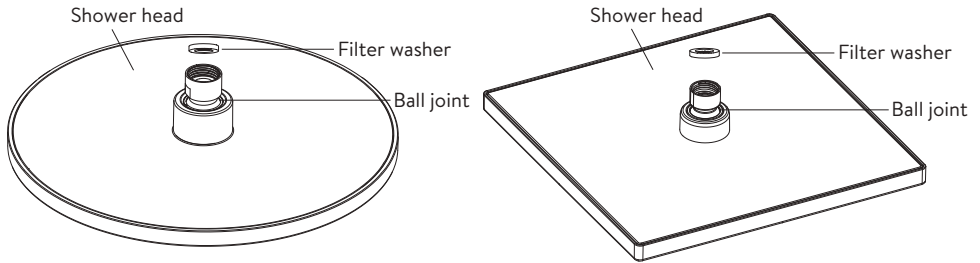
2

The backnut and backnut washer are not required. Wind the fixed arm thread directly into the $\frac{1}{2}$ " female connector (not supplied) using PTFE tape or similar, to achieve a watertight seal.

3

Temporarily cap off the fixed arm, open the shower valve and check for leaks.

INSTALLATION - FIXED HEADS



1

Where applicable remove the protective film from the back of the head. Ensuring the filter washer is in the correct position, attach the fixed head to the fixed arm by screwing the ball joint into place.

2

Open the shower valve and check for leaks.

INSTALLATION - ADJUSTABLE RAIL KIT - ROUND

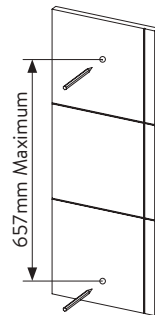
(Refer to page 27 for square kit)

1

The top bracket is a floating bracket and can be positioned to suit existing screw holes (if required).

Prepare two fixing points, using the fixings provided (if suitable).

N.B. The maximum distance between fixing points is **657mm**.

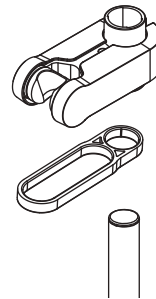


2

Fit the gel hanger to the rail followed by the handset holder.

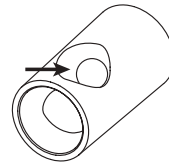
N.B. The handset holder side levers must be depressed whilst fitting.

Ensure that the chamfered side is facing up to allow the hose and handset to dock correctly.



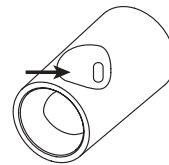
3

Secure the upper rail bracket into position on the finished wall surface using the short wall screw provided (if suitable).



4

Attach the lower rail bracket onto the bottom of the rail.

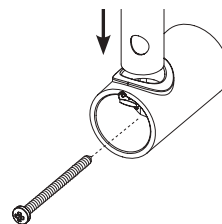


5

Slide the rail assembly up through the upper rail bracket.

6

Align the fixing hole of the bottom bracket with the corresponding holes on the rail assembly, ensuring the smaller sized hole on the rail is closest to the wall. Secure the bottom rail bracket to the wall using the long wall screw.



7

Place the rail end caps into the brackets and push firmly into position.

8

Ensuring the hose washer is in position; attach the hose to the wall outlet. Run the shower for a few seconds to clear any debris that may be present (wall outlet installation instructions - page 21).

9

Pass the shower hose through the gel hanger and ensuring the hose washers are in the correct position, depress the anti-swivel locking button on the handset and secure the handset to the hose. Place the handset into the handset holder.

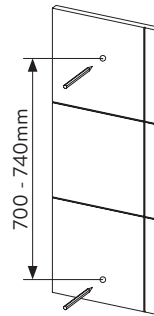
INSTALLATION - ADJUSTABLE RAIL KIT - SQUARE

(Refer to page 25 for round kit)

1

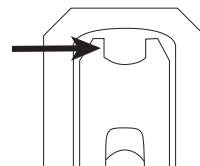
Prepare two fixing points at **700 - 740mm** using the fixings provided (if suitable).

N.B. Ensure that the hose will not be over extended when the slider is at its highest position.



2

Insert a screwdriver or similar tool inside the slot at the back of the rail end assembly to gently prise the rail end covers from the brackets, taking care not to damage the chrome plating.



3

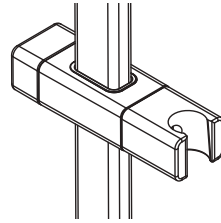
Ensure that the cover plates remain attached to the rail brackets, if these have come off, slide them back into place.

4

Fit the handset holder to the rail.

N.B. To release or tighten rotate the handle 1/4 of a turn.

The holder section can be to the left or right side of the rail, ensure that the chamfered side is facing up to allow the hose and handset to dock correctly.



5

Slot the grey rail brackets into the rail and place the assembly on the wall; lining up the fixing points, secure to the wall.

6

Slide the rail end covers onto the brackets until they click into place.

7

Ensuring the hose washer is in the correct position; attach the hose to the wall outlet. Run the shower for a few seconds to clear any debris that may be present (wall outlet installation instructions - page 21).

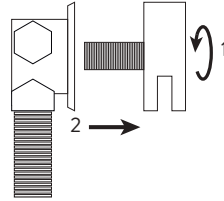
8

Ensuring the hose washer is in the correct position; attach the end of the hose to the shower head, then place the hose in the handset holder.

INSTALLATION - BATH FILL

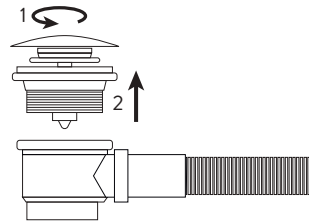
1

Carefully unscrew and remove the overflow filler outlet from the body assembly and set aside.



2

Carefully unscrew and remove the bath waste clicker assembly from the waste body and set aside.

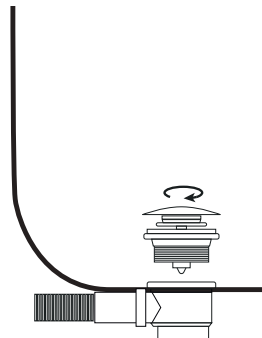


3

Offer the bath waste into position ensuring the rubber washer is correctly aligned between the waste assembly and the bath base.

4

Ensuring the rubber washer is correctly aligned, pass the bath waste clicker through the bath and secure to the waste assembly.



5

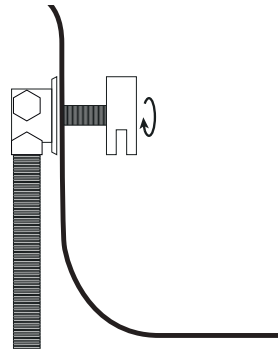
Connect the bath waste to a suitable trap (not supplied).

6

Offer the outlet body assembly into position at the rear of the bath ensuring the rubber washer is correctly aligned between the outlet body assembly and bath wall.

7

Ensuring the rubber washer is correctly aligned, pass the overflow filler outlet through the bath and secure to the body assembly.



8

Remove the relevant inlet blanking plug and attach the flexible hose to the blended inlet connection.



IMPORTANT:

PTFE thread tape or similar **MUST** be used to guarantee a watertight seal.

9

Connect the flexible hose to the blended supply pipe ensuring a suitable non-restrictive double check valve (not supplied) is fitted in line with current Water Supply Regulations.

INSTALLATION - WASTE PIPE EXTENSION KIT (WHERE REQUIRED)



IMPORTANT:

If required for larger baths, a 900mm waste pipe conversion kit is available from the Aqualisa Customer Service department, part number 910064. Please contact our Customer Service Department on 01959 560010.

1

Unscrew the clamping nut and remove the waste pipe from the waste assembly.

2

Remove the clamping nut and sealing washer from the waste pipe and set aside.

3

Carefully cut down the length of the waste pipe, and disconnect from the outlet assembly, ensuring not to damage the outlet.

4

To reassemble, push the longer waste pipe into position over the outlet, and secure it in place using a jubilee clip (not supplied).

N.B. The waste pipe may need to be softened by running it under hot water, to ensure it slides over the outlet.

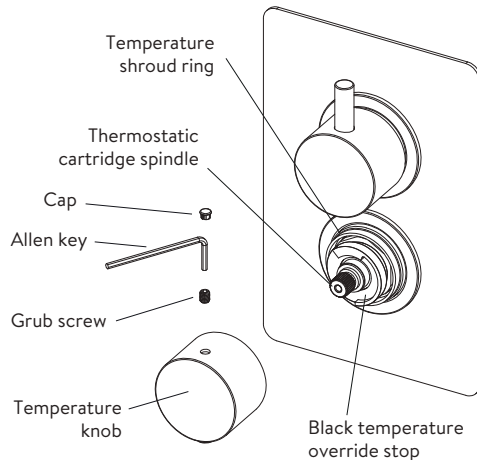
CARTRIDGE TEMPERATURE ADJUSTMENT

This product has been factory set under balanced pressures, and a hot water supply of 65°C. If site conditions vary significantly from the factory conditions, it may be necessary to reset the temperature of the cartridge to enable the product to deliver 38°C when the temperature knob is set to the 38°C position.

N.B. This product can reach temperatures of up to 55°C.

The cartridge can be adjusted to change the outlet water temperature to suit your requirements. This is done by using a digital thermometer and following the below instructions.

1. Turn the temperature knob to the 38°C position.
2. Carefully remove the cap, loosen the grub screw, then remove the temperature knob.
3. Run the shower at required flow.
4. Whilst measuring the temperature of the water, and without removing the black temperature override stop, turn the brass spindle until the temperature reaches 38°C.
5. Once 38°C is achieved, turn the shower off.
6. Depress the temperature override safety button and fit the temperature knob into place with the button at the 6 o'clock position. Tighten the grub screw and fit the cap.

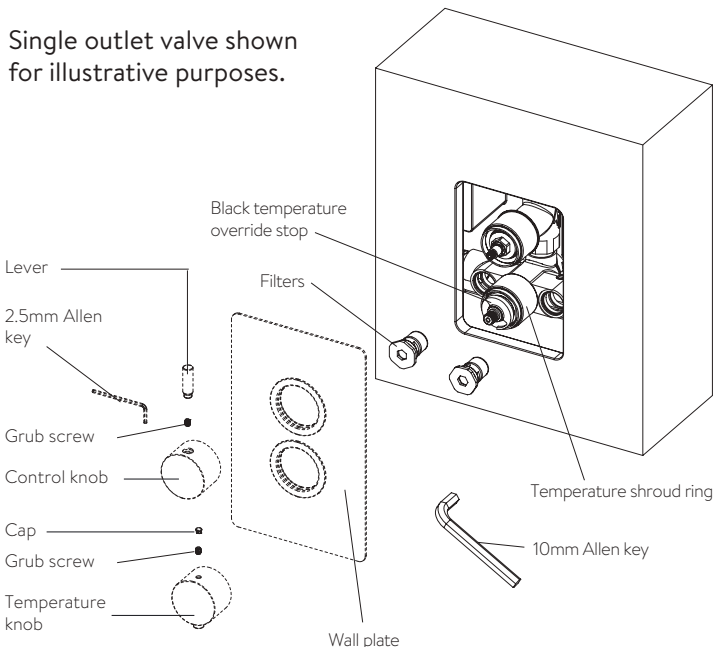


N.B. Adjusting the pre-set temperature will also adjust the full hot setting.

GENERAL MAINTENANCE

Cleaning the Filter (if no flow, low flow rate or temperature inconsistency)

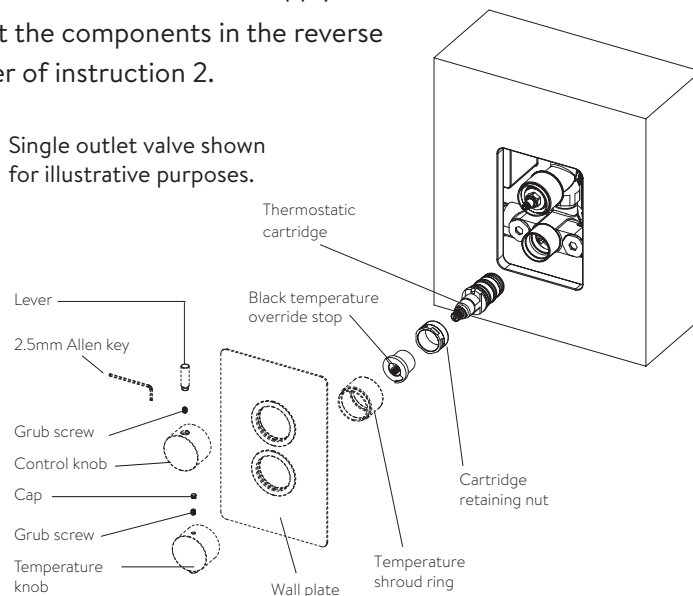
- 1. IMPORTANT** Before carrying out any maintenance, ensure the water supplies for the shower are isolated. Once isolated, turn the shower on to release internal pressure. If unsure contact a qualified tradesman.
2. Remove the caps, unscrew the lever (where fitted) and loosen the grub screws. Pull away the temperature and flow handles, then remove the wall plate. Without removing the black temperature override stop, unscrew and remove the temperature shroud ring.
3. Remove the filters using a 10mm Allen key, clean the filters by rinsing thoroughly under cold water to remove any build up of limescale or debris.
4. Refit the filters into the body and tighten using a 10mm Allen key. Reinststate the water supply to ensure there are no leaks.
5. Refit the components in the reverse order of instruction 2.



Cleaning or replacing the thermostatic cartridge

(temperature inconsistency)

- 1. IMPORTANT** Before carrying out any maintenance, ensure the water supplies for the shower are isolated. Once isolated, turn the shower on to release internal pressure. If unsure contact a qualified tradesman.
2. Remove the caps, unscrew the lever (where fitted) and loosen the grub screws. Pull away the temperature and flow handles, then remove the wall plate. Unscrew and remove the temperature shroud ring.
3. Note the position of the black temperature override stop and thermostatic cartridge before removal as they must be refitted in the same position. Once noted, pull the black temperature override stop from the cartridge and remove the cartridge retaining nut using a suitable spanner. Remove and clean the cartridge by rinsing thoroughly under cold water to remove any build up of limescale or debris.
4. If necessary replace the cartridge. A replacement cartridge can be obtained by contacting customer service on 01959 560010.
5. Refit the cartridge into the valve body, tighten the cartridge retaining nut using a suitable spanner and refit the black temperature override stop.
6. Reinststate the water supply to ensure there are no leaks.
6. Refit the components in the reverse order of instruction 2.



GENERAL CLEANING

Whilst modern plating techniques are used in the manufacture of these fittings, the plating will wear if not cleaned properly. The safest way to clean your product is to wipe with a soft damp cloth. Stains can be removed using washing up liquid.

DO NOT USE ABRASIVE CLEANERS.

Limescale

Rub the nozzles of the shower head to break down scale build up. Should chemical descaling of the head become necessary, remove the shower head fully and immerse in a mild proprietary descaler.

IT IS IMPERATIVE THAT DESCALING IS CARRIED OUT STRICTLY IN ACCORDANCE WITH THE MANUFACTURERS INSTRUCTIONS. SUBSTANCES THAT ARE NOT SUITABLE FOR PLASTICS AND ELECTROPLATED SURFACES MUST NOT BE USED.

USER GUIDE

Flow control - Single outlet valves

1. The lever or cover cap in the 12 o'clock position indicates the valve is fully closed. When the lever or cover cap is in the 9 o'clock position, the valve is fully open.
2. Turn the flow control anti-clockwise to turn the shower on. The more the lever is turned, the more water flow is delivered.
3. Turn the flow control clockwise to the closed position after use.

Flow control - Divert valves

1. The lever in the 12 o'clock position indicates the valve is fully closed.
When the lever is in the 9 o'clock position, the adjustable head outlet is fully open.
When the lever or cover cap is in the 3 o'clock position, the fixed head is fully open.
2. Turn the flow control clockwise or anti-clockwise to turn the desired shower outlet on. The further the control is turned, the more water flow is delivered.
3. Turn the flow control to the closed position after use.

N.B. Both shower heads CANNOT be used simultaneously.

Temperature control – Single outlet and Divert valves

1. Rotate the temperature control to select a comfortable showering temperature, using the temperature markings as a guide.



IMPORTANT:

The temperature stop button should be pressed to allow for a warmer setting.

N.B. As with many of the Aqualisa shower valves fitted to combination boiler systems, it may be necessary to adjust the flow control knob and reduce the flow to achieve a comfortable showering temperature.

Shower head

To avoid water dripping from the shower head after use, we advise to tilt the head back to allow residual water to drain out.

The above recommendation applies to both adjustable and fixed shower heads.

1. To select the preferred height for the shower head, depress the handset holder levers (round kit) or rotate the handle 1/4 of a turn (square kit) to enable the slider to be moved up or down the rail.

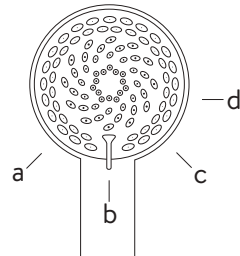
- Angular adjustment is made by carefully but firmly pulling the shower head forwards, or pushing the shower head back towards the wall.

NEVER ATTEMPT TO MAKE ANY ADJUSTMENT TO THE SHOWER HEAD BY PULLING ON THE SHOWER HOSE.

Shower head functions

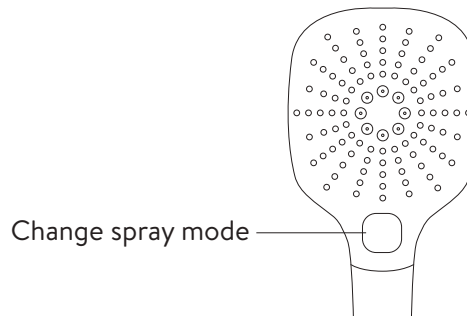
Round - Rotate the spray plate lever clockwise or anti-clockwise to select the desired spray pattern. When the lever is in position d, the water saving 'Eco' mode is selected. This provides the same spray pattern as position c, but, depending on which water system the product is fitted to, offers up to 25% water saving.

- Inner
- Middle
- Outer
- Eco



To remove the shower head, depress the anti-swivel locking button on the handset and unscrew the hose.

Square - The shower head has three spray modes: outer, inner and combined; the mode is changed by pressing the button.



Fixed head

The angle of the fixed shower head can be adjusted. The shower head is mounted on a multi directional ball joint to allow for minor angular adjustment in any direction by carefully holding the shower head and moving the head to the desired angle.

N.B. Do not force the angle of the head beyond its natural stopping point.

TROUBLE SHOOTING

Symptom	Possible Cause	Remedy
No flow or low flow rate and/ or varying temperatures.	Check shower head, hose and filters for any blockage.	Clean as necessary. Refer to General Maintenance section (page 33).
	Partially closed stop or service valve in water supply pipework to the shower valve.	Open stop or service valve.
	Instantaneous water heater cycles on and off as the flow rate or pressure is too low.	Increase water flow rate or pressure through system. Contact the boiler manufacturer.
	Head of water is below the minimum distance required.	Raise the cistern or fit a shower booster pump.
	Hot or cold water being drawn off elsewhere causing pressure changes or instantaneous boiler temperature changes.	Do not use other water outlets when using the shower.
	Make sure the maintained inlet pressures are nominally balanced and sufficient.	Refer to Water Supply Requirements (page 4).
	Airlock or partial blockage of the pipework (gravity supply only).	Flush through pipework to ensure removal of debris and any airlocks.
	No hot or cold water reaching the shower valve.	Check hot and cold feeds (the valve will shut down if either the hot or cold supply fails).
	Shower head is set to ECO mode.	Refer to page 37 of this guide.
Only hot or cold water from the shower valve outlet.	Partially closed stop or service valve in water supply pipework to the shower valve.	Open stop or service valve.
	Inlet filter is partially blocked.	Clean as necessary. Refer to General Maintenance section (page 33).
	Inlet water supplies are reversed (hot to cold supply).	Check the connections are the correct way round. Hot on the left and cold on the right when viewed from the front. Rework pipework as necessary.
Water leaking from shower head.	This is normal for a short time after turning off.	Adjust angle of shower head as necessary to vary draining time. Clean shower head.

Symptom	Possible Cause	Remedy
Maximum water temperature too hot or cold.	Maximum water temperature set incorrectly.	Reset maximum water temperature. Refer to Cartridge Temperature Adjustment (page 32).
Control dials stiff to operate.	Debris/Scale build up.	See General Maintenance (pages 33 and 34)
Outlet water temperature too hot/cold.	Inlet filter is partially blocked.	Clean as necessary. Refer to General Maintenance section (page 33).
	Installation conditions outside operating parameters.	Refer to Water Supply Requirements (page 4). Refer to Cleaning the Thermostatic Cartridge section (page 34). Refer to Cartridge Temperature Adjustment (page 32).
	Hot water temperature is less than 10°C above the required blend temperature.	Adjust hot water temperature or wait for water to reheat if stored system is used.
	Instantaneous water heater not igniting because water flow rate is too low.	Increase water flow rate through the system. Check inlet filters and clean as necessary. Refer to General Maintenance section (page 33). Contact the boiler manufacturer.

AQUALISA

Aqualisa Products Limited
The Flyers Way
Westerham Kent TN16 1DE

Customer Helpline: 01959 560010 | Brochure Hotline: 0800 652 3669
Website: www.aqualisa.co.uk | Email: enquiries@aqualisa.co.uk
Warranty: www.aqualisa.co.uk/warranty

Republic of Ireland
Sales enquiries: 01-864-3363
Service enquiries: 01-844-3212

Aqualisa International
Jan Palfijnstraat 26/002,
Kortrijk,
Belgium,
8500



Please note that calls may be recorded for training and quality purposes.

The company reserves the right to alter, change or modify the product specifications without prior warning.

™ Trademark of Aqualisa Products Limited.

Part No: 705351 Issue 01 Feb 21